

Main Features :-

Full bore	Available with single acting
Stainless Steel ball and stem	Double acting actuator
Option of ATEX approved valve	Switchbox
RPTFE seats and Viton seals	Solenoid
Flanged PN16	Electro pneumatic positioner
1/2 to 8"	Assembled and Tested
Brass ball and stem option	8 bar rated



TYPE: 965P PNEUMATIC

Technical Specifications and Key Dimensions:

Specifications:	
Actuator housing:	Hard anodised aluminium
Actuator ATEX rating:	ATEX II 2GD EExd
Actuator Temp rating:	-20 +80C
Actuator pressure rating:	8 bar Max
Valve Approval:	None
Valve ends available:	PN16
Size range:	1/2" to 8"
Valve temp limits:	-30 to +180C
Valve pressure limits:	16 bar

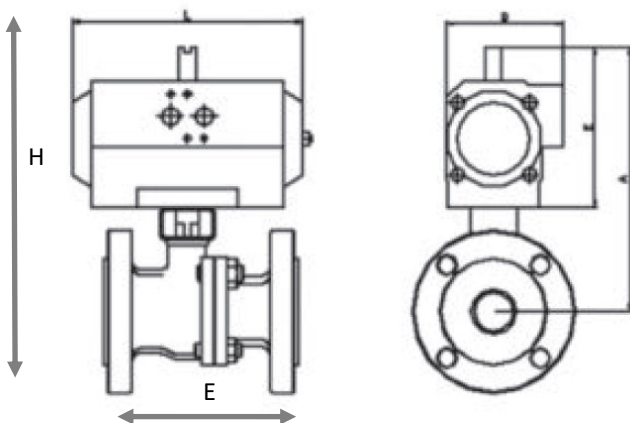
Assembly Overview:-

A cost effective pneumatically operated stainless ball valve available in double acting (air to open air to close) or single acting (failsafe, air to open spring to close). With a stainless ball and stem you get the benefit of a stainless ball valve at the price of a cast iron valve.

Don't forget your Switchboxes and / or Solenoid valve, positioner.



Brands of valve we can offer:



Size	Double Acting		Single Acting	
	E	H	E	H
1/2"	115	Call	115	Call
3/4"	120	Call	120	Call
1"	125	Call	125	Call
1 1/4"	130	Call	130	Call
1 1/2"	140	Call	140	Call
2"	150	Call	150	Call
2 1/2"	170	Call	170	Call
3"	180	Call	180	Call

**Call for 4" to 8" dimensions

Did you know?

We can offer the above assembly with a stainless mounting kit for temperature applications above 70+C. Note this typically adds 50-70mm to the overall height of the assembly - dimension H above.

ISO 9001:2015 Accredited Company

Tel: +44(0)1386 552369

Fax: +44(0)1386 554227

sales@allvalves.co.uk

www.allvalves.co.uk

Allvalves Online Ltd, Automation House, Unit 2, Pershore, WR10 2DF UK

*Please note that all datasheet are generally generic and are subject to change without prior notice. They are for reference only.